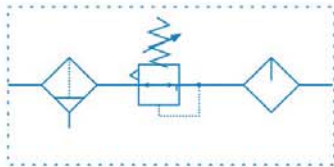


**F + R + L ( 3 Pcs. )**  
**(Filter + Regulator + Lubricator)**



**Features**

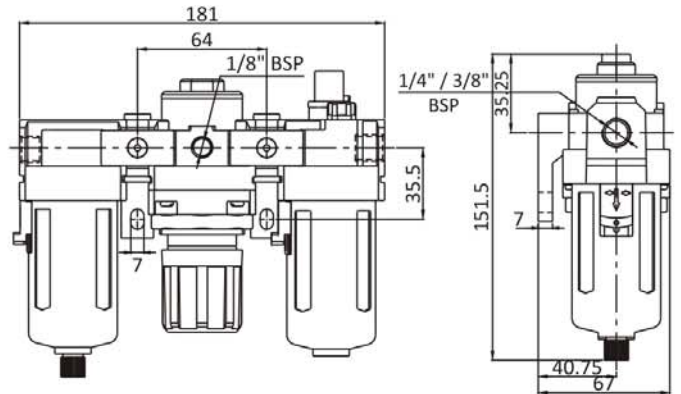
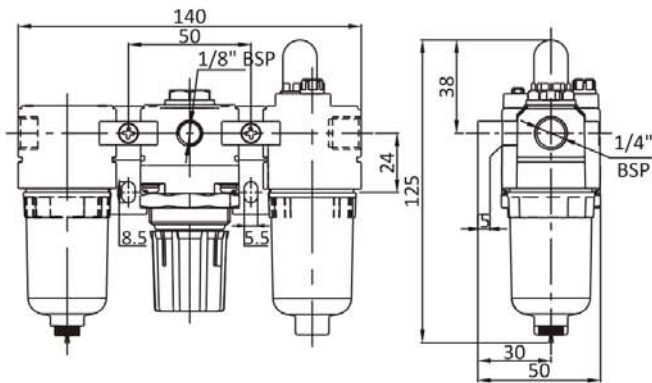
- ▶ Safety steel bowl guard - Push in turn type
- ▶ Modular Mounting Type
- ▶ Sinter Bronze Filter Element
- ▶ Suitable for Panel and Modular Mounting Type
- ▶ Fine Adjustment of Lubrication
- ▶ Lubrication Proportional to Flow
- ▶ Type of Oil to be used ISO VG32.

**Technical Specification**

Model	JHFRLM-13	JHFRLM-14A	JHFRLM-14B	JHFRLM-15	JHFRLM-17A	JHFRLM-17B
Size	1/4"	1/4"	3/8"	1/2"	3/4"	1"
Opr. Pressure	10 Kg/cm <sup>2</sup> (max.)					
Temperature	50 °C (max.)					
Seals	NBR					
Media	Compressed air					
Weight (Approx.)	0.740	1.180	1.180	2.140	3.820	3.820

**JHF - 13 (1/4")**

**JHF - 14A & 14B (1/4" & 3/8")**



**JHF - 15 (1/2")**

**JHF - 17A & 17B (3/4" & 1")**

