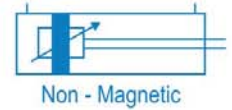
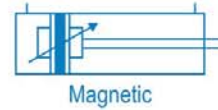


Model : DGS / Series : G-01
 As Per ISO 6432 Standard Profile (Round Type)

Features

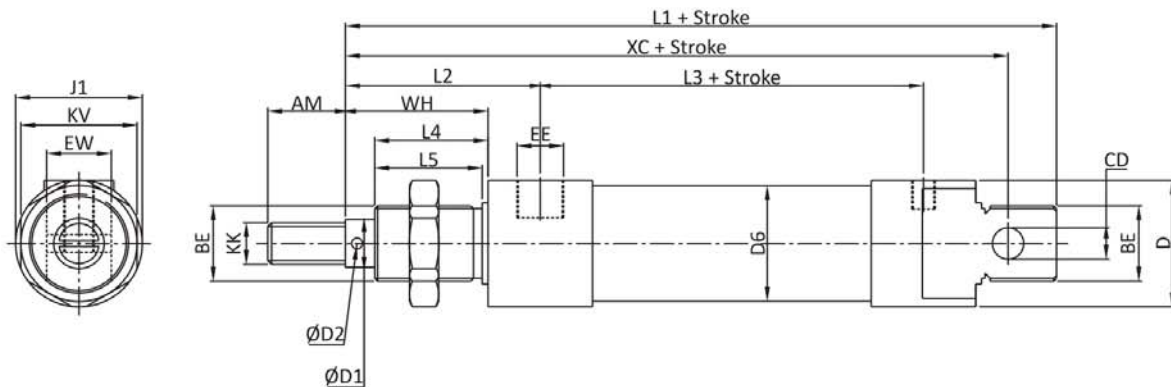
- ▶▶ As Per ISO 6432 Std.
- ▶▶ Slim & Compact Design
- ▶▶ Smooth running performance Long Established design
- ▶▶ Piston rod with external thread
- ▶▶ Extensive choice of mounting
- ▶▶ Available in both magnetic & non-magnetic version (DGS / MDGS)



Technical Specification

Bore Die	12				16				20				25			
Stroke	25	50	80	100	125	150	160	200	250	300	350	400	450	500	550	600
Cushion	12mm to 20mm bore cylinders are fixed cushioning & 25mm bore cylinders are adjustable cushioning at both ends															
Barrel	Aluminum															
Piston Rod	EN 8 with hard chrome plated															
Piston Rod Dia	6				8				8				10			
End Cover	Aluminium															
Sales	Polyurethane, Nitrile (Viton seal available on request for high temperature)															
Surface Treatment	Auto finish enameling end cover & cylinder barrel															
Mounting	Std. Mounting available (for more details see dimension)															

Basic Cylinder Dimensions For Model : DGS

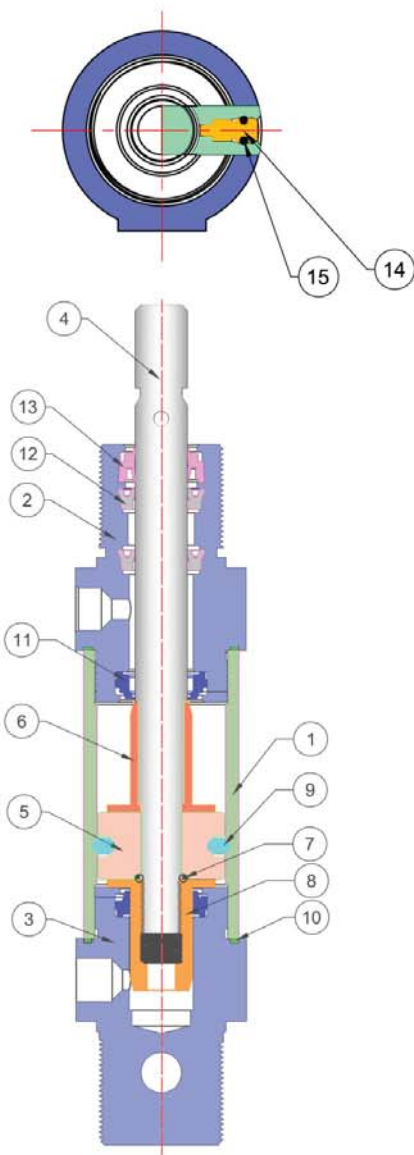


Bore die	KK	BE	AM	CD	D	D1	D2	D6	EE	EW	J1	KV	L1	L2	L3	L4	L5	WH	XC	KG
12	M6X1.00P	M16X1.5P.	10	6.5	20	6	2	16	MSX0.8P.	12	20	24	106	27	55	16	14	19	99	6
16	M8X1.25P.	M20X1.5P.	13	6.5	27	8	2	21	1/8" BSP	12	27	30	123	41	57	22	18	32	114	10
20	M8X1.25P.	M22X1.5P.	13	8	27	8	3	24	1/8" BSP	16	27	32	113	36	50	20	18	30	95	16
25	M10X1.50P.	M24X1.5P.	17	8	33	10	3	30	1/8" BSP	16	33	31	127	43	53.1	24	22	34	112.5	24

32, 40 & 50 Available On Request

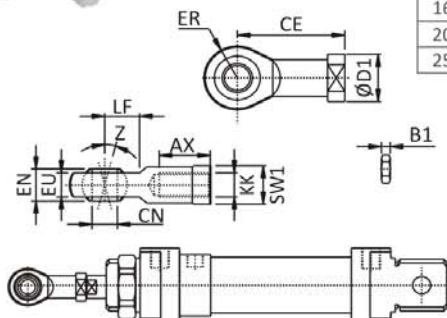
*K = Push Force at 5 Kg/cm² Pressure

Model : DGS / Series : G-01
As Per ISO 6432 Standard Profile (Round Type)



No.	Item Name	Material
1	Round Pipe	LM-2 / ALSI-132 Aluminum Alloy
2	Top Cover	LM-2 / ALSI-132 Aluminum Alloy
3	Bottom Cover	LM-2 / ALSI-132 Aluminum Alloy
4	Piston Rod	BS-970-90,EN-8, (080M40)
5	Piston	LM-2 / ALSI-132 Aluminum Alloy
6	Collar	Nylon-66 (With 30% GF)
7	'O' Ring For Piston	Nitrile Buna-N Gr. 80
8	Thread Collar	Nylon-66 (With 30% GF)
9	V-Seal For Piston	Nitrile Buna-N Gr. 80
10	Gasket	Delrine
11	Cushion Seal	Nitrile Buna-N Gr. 80
12	Shaft V-Seal	Nitrile Buna-N Gr. 80
13	Duster Ring	P.U
14	Cushion Pin	Brass
15	'O' Ring For Cushion Pin	Nitrile Buna-N Gr. 80

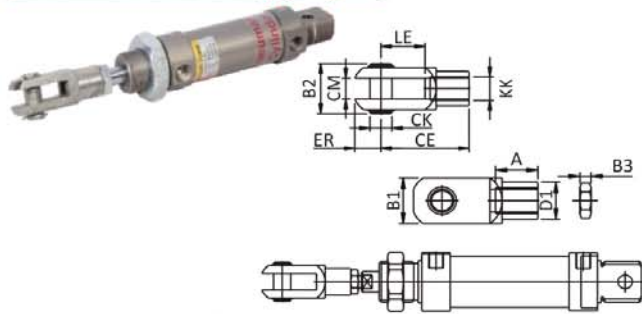
Eye Rod Mounting (SGS) - M



Bore die	KK	EN	EU	ER	D1	CN	CE	LF	SW1	SW2	AX	Z	B1
12	M6X1P.	9	6.8	10	13	6	30	11	11	10	12	13	3.2
16	M8X1.25P.	12	9	12	16	8	36	13	14	13	16	13	4
20	M8X1.25P.	12	9	12	16	8	36	13	14	13	16	13	4
25	10X1.5P.	14	10.5	14	19	10	43	15	16	17	20	13	5

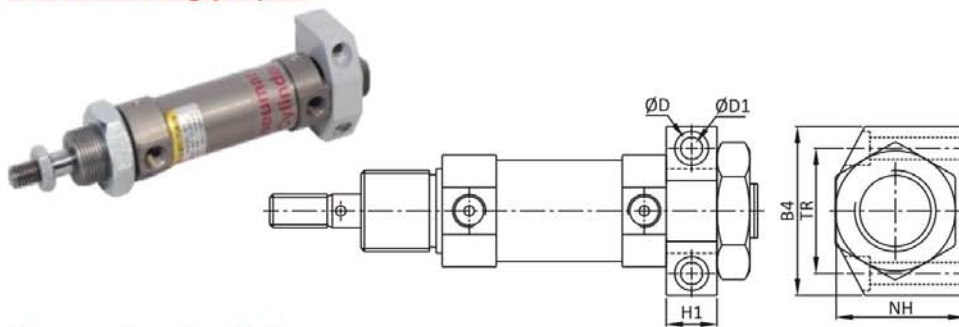
Model : DGS / Series : G-01
As Per ISO 6432 Standard Profile (Round Type)

Rod Clevis Mounting (SG) - K



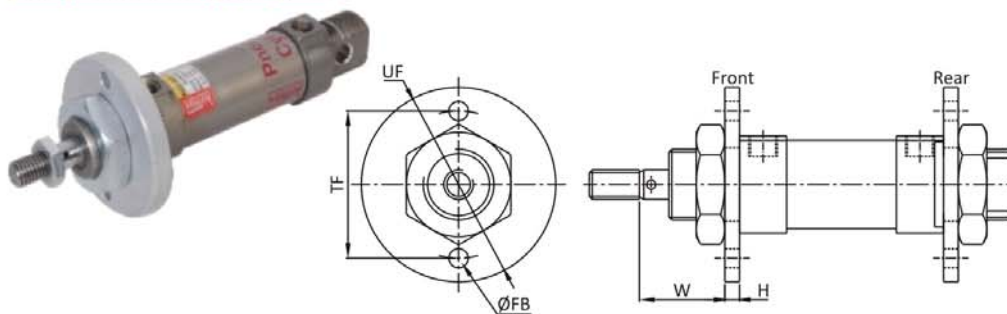
Bore die	KK	B1	B2	B3	CE	CK	CM	D1	ER	LE	A
12	M6X1P.	12	16	3.2	24	6	6	10	7	12	22
16	M8X1.25P.	16	21.5	4	32	8	8	14	10	16	22
20	M8X1.25P.	16	21.5	4	32	8	8	14	10	16	22
25	10X1.5P.	19	26	5	40	10	10	18	12	19	22

Foot Mounting (HB) - A



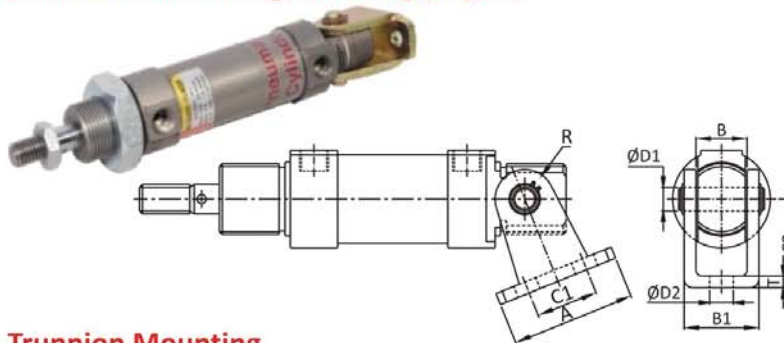
Bore die	ØD	ØD1	H1	B4	TR	NH
12	8	5.5	10	40	29	29
16	8	5.5	10	40	29	29
20	10	6.5	15	50	37	38
25	10	6.5	15	50	37	38

Flange Mounting (FB) - B



Bore die	FB	H	TF	UF	W
12	5.5	4	40	53	---
16	5.5	4	40	53	28
20	6.5	5	50	66	25
25	6.5	5	50	66	29

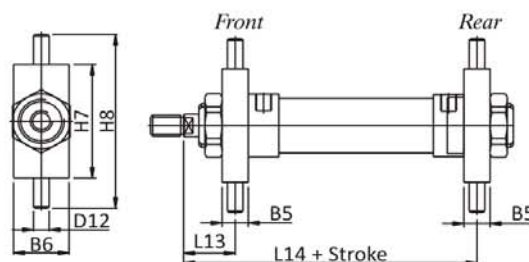
Clevis Foot Mounting with King (LB) - H



Bore die	C1	A	ØD2	T	C2	ØD1	B	B1	R
12	15	25	5.5	3	27	6	12.1	18.1	7
16	15	25	5.5	3	27	13	12.1	18.1	7
20	21	42	6.6	4	30	8	17.3	25.3	10
25	21	42	8	4	30	8	17.3	25.3	10

Trunnion Mounting

On Request



Bore die	H8	H7	D12	B6	L13	B5	L14
12	58	38	6	25	18	8	76
16	58	38	6	25	18	8	82
20	66	46	6	30	21	8	96
25	66	46	6	30	24	8	101.5