

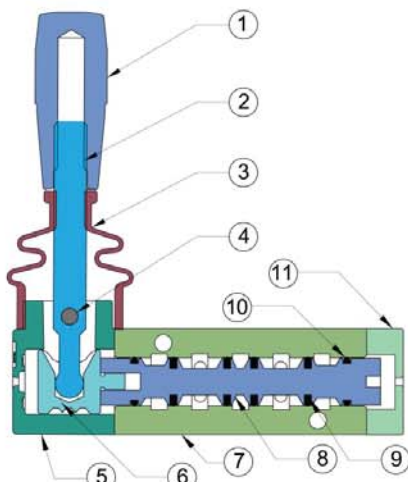
5/3 Way Hand Lever Valve (Detent)

Features

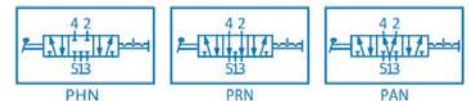
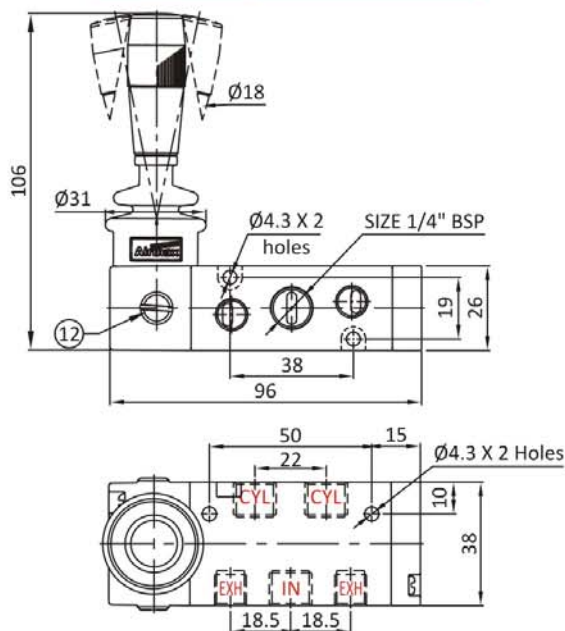
- ▶▶ Compact Design with Maximum Flow
- ▶▶ Aluminum Extruded Body with Anodized

Technical Specification

Model	3AD-HR-605	3AD-HR-607
Size	1/4"	1/2"
Type	Spring Return	Detent
Design	Spool type	
Pressure	10 Kg/cm ²	
Temperature	5 to 55 °C	
Flow rate in SCFM Lts. / Min @6 Kg	42	123
Recommended Oil For Lubrication	ISO VG32	
Leakage	Bubble Tight	
Media	Compressed Air (Filtered & Lubricated)	
Weight (Kg)	0.280	0.800



Size : 1/4" BSP (Dimensions are in mm)



No.	Part Name	Material
1	Knob	Nylon
2	Handle	Hardchrome Plated
3	Bellow	NBR
4	Dowel Pin	Hardchrome Plated
5	Top Cover	Aluminum Pressure Die Cast
6	Piston	Standard Steel
7	Body	Aluminum
8	Spool	Aluminum
9	Seals Ring	NBR
10	Guide Ring	NBR / PTFE / Polyacetal
11	End Cover	Aluminum / Nylon
12	Cushioning Set	Brass / S. S.

Size : 1/2" BSP (Dimensions are in mm)

